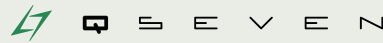
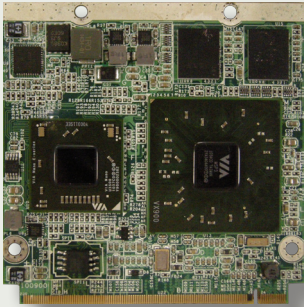


# EmQ-v900

VIA Nano™ Qseven™ CPU Module



## Features

- Soldered onboard VIA Nano™ U3500 Processor
- Soldered onboard 1GB DDR3 SDRAM
- Support Single Channel 24-bit LVDS, DisplayPort or TMDS (2 choice 1)
- Multi-Expansion (2xSATA, LPC Interface; 8xUSB 2.0 host, 1xUSB 2.0 client, 2x Gen.2 PCIe1 Lanes, and SDIO)
- RAID 0,1 support

## System

<b>CPU</b>	Soldered onboard VIA Nano™ U3500 1.0GHz processor
<b>Memory</b>	Soldered onboard DDR3 1GB SDRAM
<b>Chipset</b>	VIA VX900
<b>BIOS</b>	AMI PnP Flash BIOS
<b>Storage</b>	2 x Serial ATA ports with 300MB/s HDD transfer rate RAID 0, 1 supported 8-bit SDIO supported
<b>Watchdog Timer</b>	1~255 levels reset

## I/O

<b>USB Port</b>	8 x USB 2.0 host ports, port1 may be optionally used as USB 2.0 client port
<b>KB/MS</b>	by carrier board
<b>Expansion Bus</b>	2 x Gen.2 PCIe1 lanes LPC interface

## Ethernet

<b>Chipset</b>	1 x Realtek RTL8111C GbE controller
----------------	-------------------------------------

## Audio

<b>CODEC/ Interface</b>	HD Audio link
-------------------------	---------------

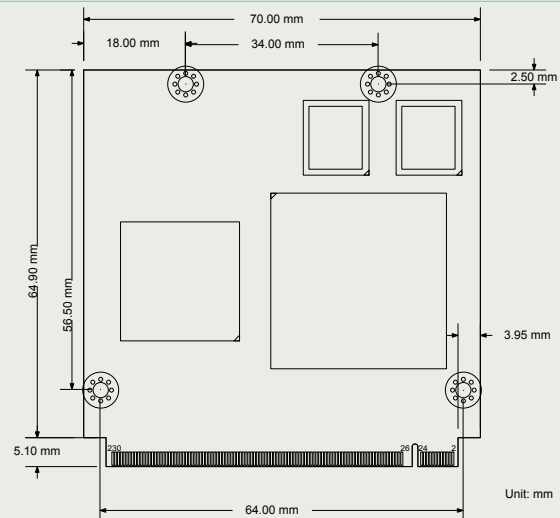
## Display

<b>Graphics Chipset</b>	Integrated Chrome9™ HD DX9 controller
<b>Graphics Interface</b>	LCD: Single Channel 24-bit LVDS DisplayPort or TMDS (2 choice 1)

## Mechanical & Environmental

<b>Power Consumption</b>	1.55A/12V
<b>Operating Temp.</b>	0 ~ 60°C (32 ~ 140°F)
<b>Operating Humidity</b>	0 ~ 90% (non-condensing)
<b>Dimension (L x W)</b>	70 x 70 mm (2.76" x 2.76")

## Dimensions



## Ordering Information

<b>EmQ-v900</b>	VIA Nano™ U3500 1.0GHz Q <sub>seven</sub> ™ CPU Module
<b>HS-v900-F1</b>	Heat spreader for EmQ-v900
<b>HS-v900-C1</b>	Cooler for EmQ-v900