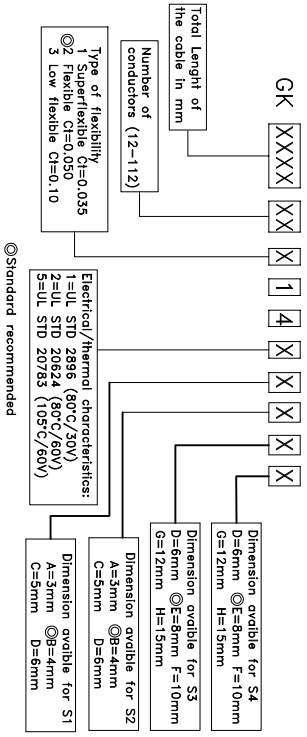


ORDER INFORMATION



INDEX	DATE	MODIFICATION	Note:	UNIT: mm
TOLERANCES FOR FREE DIMENSIONS			Current rating: 1A	Date 11-03-08
ANGULAR VALUES	from 0.5° to 3°	> 3°	Insulation: Flame retardant polyester, white	
	< 6°	< 10°	Conductor: Copper	Design Gambino L.
	> 10°	> 18°	Supporting tape: Flame retardant polyester	
	< 18°	< 30°	Plating: -----	Contr.
	> 30°	> 50°	Protection: -----	
	< 50°	< 80°		
	< 80°	< 120°		
	< 120°	< 180°		
	< 180°	< 250°		
	< 250°	< 315°		
	> 315°	> 280°		

KONTEK
ELECTRONIC CONNECTORS MANUFACTURING

Denomination: _____
Flat Flexible Cable GK mm pitch 0.5mm
Terminal type 4

Cod. GKXXXXXXXX14XXXXXX
File: GKXXXXXXXX14XXXXXX
Dis. Nr. _____ Index