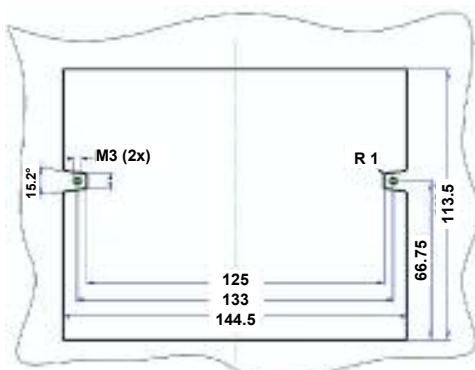


## MAXI – 4" THERMAL PRINTER

114 mm Paper Width ♦ 60 mm Paper Roll Diameter  
 Easy Loading Technology ♦ High resolution 203 dpi  
 Text ♦ Graphics ♦ Bar Code ♦ Fast 50 mm/s  
 Interfaces: RS232 / 422/ 485 / TTL / Centronics /  
 USB / IrDa / Bluetooth Wireless technology  
 OPD-Menu ♦ Battery Operation  
 with Power Saving Modes

### CHARACTERISTICS

- Compact, efficient 4" thermal printer
- For log , receipt, and ticket printing
- Plastic housing with appealing design
- Can be installed in POS cash systems or in technical devices
- 47 mm installation depth
- 'Half installation' beyond the edge of the housing
- Simple paper handling with Easy Paper Loading
- High print speed up to 50 mm/s
- 832 dots per horizontal line (104 mm)
- Multiple character sets (IBM-II/850 ) with 52, 69, 92 and 118 cpl as well as special characters
- Printable bar codes EAN8 / EAN13 / Code39 / 2 of 5 interleaved / others on request.
- Serial interfaces: RS232 / 422 / 485 / TTL
- Wireless interfaces: GeBE-IR, IrDA-Ir , Bluetooth® wireless technology
- Peripheral options: clock with alarm register , second serial interface (bar code scanner), magnetic card reader , paper rewinder
- Flexibility in the voltage supply
- Operated by external supply; 4.5 - 8.5 V DC
- Option: integrated DC/DC converter 10 - 36 V DC
- Battery operation: internal charging circuit
- Sophisticated power saving management, SLEEP mode
- Interface and printer parameters can be set through the OPD-Menu®
- Works with Endress+Hauser Ecograph A, Ecograph C and Memograph
- **Custom versions available for medium-sized order quantities** : private labeling, housing color , cost saving basic functionality , clock/alarm function, software changes, digital and analog I/O's, etc..



Window cut for integration in a panel

## LARGE THERMAL PRINTERS



- Panel mounting
- Easy Loading Technology
- 114 mm Paper Width
- 60 mm Paper Roll Diameter
- High resolution 203 dpi
- Fast 50 mm/s
- Interfaces: RS232 / 422/ 485 / TTL / Centronics / USB / IrDA / Bluetooth
- Battery Operation

### IMPORTANT TECHNICAL DATA

Print speed	up to 50 mm/s
Character sets	4x 256 characters
Print type	Text, Graphics Bar code
Print position	Text mode Datamode (inverted)
Serial interfaces	RS232 / TTL RS422 / RS485 USB
Wireless interfaces	GeBE-IR IrDA Bluetooth®
Operating temperature	0 - 60°C , (-10 °C on request)
Life span	app . 50km
Size (see drawing)	150 (L) x 119 (W) x 68 (D)
Paper / Effective print width	113.5 ±0.5 / 104 mm
Paper thickness	60- 80 µm
Roll diameter	max. 60 mm

### CONSUMABLES

MPA-TH-114-60-1	Thermal Paper Roll Width 113,5 mm – Ø 60 mm
-----------------	--

## DESCRIPTION

### Flexible Configuration

With the 114 mm wide thermal printer in the MAXI housing, Megatron offers their OEM customers a highly flexible configuration . The printer is designed for stationary and mobile applications

### Paper Handling Made Easy

There is no need to thread the paper into the printer mechanism. The user only has to insert it into the paper path and close the lid . Easyloading technology makes paper roll exchanging uncomplicated and fast. For stationary operation, the large 60 mm diameter paper roll is quite an advantage.

### Shallow Depth Requirement

The new MAXI thermal printer GPT-4454 is ideal for front integration in front panels or consoles due to its shallow depth. In desk top housings, a 'half installation' (extending beyond the side wall of the housing) is possible to reduce the space requirement inside . Receipt printing for POS billing systems, or log printing for measuring tasks and documentation are typical applications for this new high-resolution 4" thermal printer.

### Impressive Print Results

There are four character sets with 256 characters each (similar to IBM-II code table 850 ) and different sizes to choose from. They may be exchanged for other character sets like Cyrillic. The printer always prints with 832 dots per horizontal line pixel graphics, and with the same depth in vertical direction (8 dots/mm equal 203 dpi ).

Batch files containing text and graphics (advertising and company logos) can be stored in the flash memory of the  $\mu$ -controller , or in an 8KB or optional 32 KB serial EEPROM. They can be printed at any time. The printer independently generates four different bar code types (EAN8 / EAN 13 / Code3 9 / 2 of 5 interleaved). Other bar codes can be programmed upon customer request. The paper can be transported forward by the line, and reverse for small distances .

## STANDARD EQUIPEMENT

- Thermal roll paper
- RS232/TTL Cable
- Power cable

### Controlled Reliability

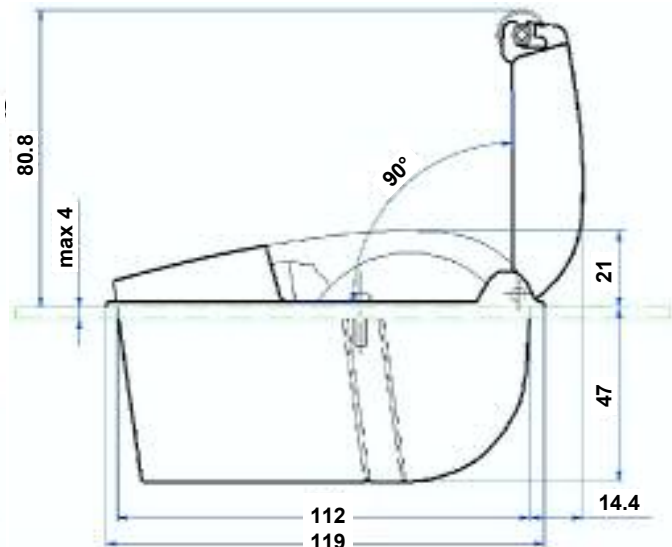
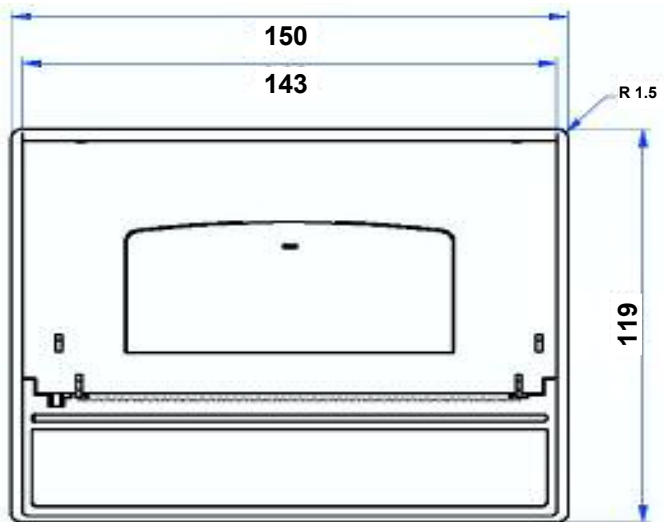
The program flow is protected by a watchdog . Sensors monitor the paper supply , the power voltage, the temperature of the print head, and of the battery . With the appropriate paper , the printer can be used at temperatures from  $-10^{\circ}\text{C}$  to  $60^{\circ}\text{C}$ . Printing outside this temperature range is automatically prevented . LEDs on the operating console indicate the status of the power supply and errors that have occurred. An optional cover can be installed on the back. It can effectively protect the electronics from improper handling. The data line is fed in from the bottom through a lockable connector.

### OPD-Menu® Helps with the Parameter Setting

Information controlling the printer is stored in the serial EEPROM . With the OPD-Menu®, the user can select , change , and save parameters like baud rate, character format, printout blackening, etc... through two buttons and by using the print function as a dialog display.

### Power Supply and Power Management

The print system is always operated with just one power voltage  $V_p$  between 4.5 and 8.5V. This power voltage can be supplied from different power source s. For stationary operation , the printer is supplied through the power socket that is accessible from the bottom and connects to an external power supply unit (4.5 - 8.5V; 5A) . Optionally, a DC / DC converter with a large input voltage range (10 -36V DC ) may be installed on the controller board. Another version has the controller equipped with a simple battery charging circuit that can recharge 5x Ni-MH batteries from a special charger (with internal resistance for current limitation ) . The controller monitors the end of the charging process, and the charging status is indicated by the power LED . During inactive periods, the controller automatically switches to power saving idle or sleep modes , achieving highly efficient operation.



Design and specifications are subject to change without notice.  
Ask factory for technical specifications before purchase and : or use.

sf\_gpt4454\_0511\_e02



MEGATRON S.A.R.L  
ZI de Noyer – BP 1  
74200 ALLINGES  
<http://imprimantes.megatron.fr>

Tél : +33 (0)4 50 70 54 54  
Fax : +33 (0)4 50 70 56 56  
Email : [info@megatron.fr](mailto:info@megatron.fr)