

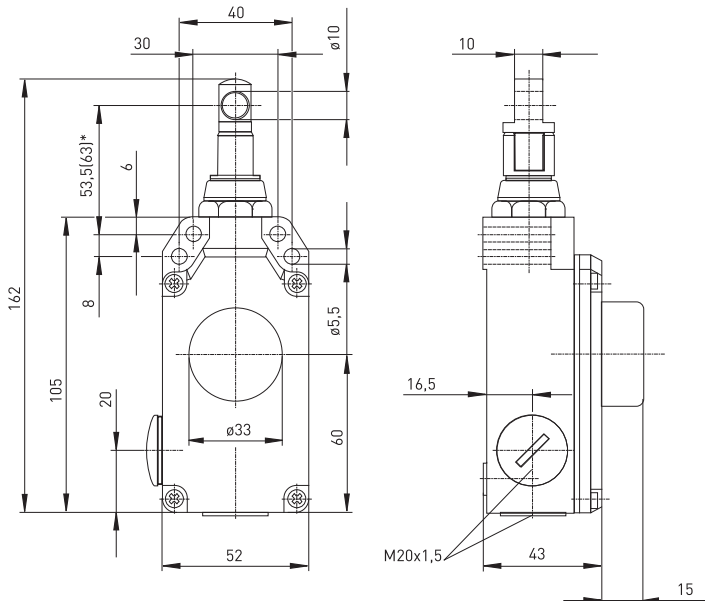
Arrêts d'urgence à câble // ZS 71

.steute

Features/Options

- Metal enclosure
- 2 contacts
- Small design
- Wire length up to 20 m
- 2 various spring force variants (actuating forces): 55 N for max. 5 m, 200 N for 5-20 m
- Release by push button or key possible
- Wire pull and breakage function
- Ex version available
- AS-Interface Safety at Work available

Technical drawing



Contact types

Snap action

1 NC/1 NO contact
ZS 71 1Ö/1S

2 NC contacts
ZS 71 2Ö

Technical data

Standards	IEC/EN 60947-5-1, IEC/EN 60947-5-5, EN 418
Approvals	BIA (BG)
Enclosure	aluminium die-cast, enamel finish
Cover	glass-fibre reinforced, shock-proof thermoplastic, ultramid
Protection class	ZS 71 VD, ZS 71 WVD and ZS 71 NA: IP 65; ZS 71 VS and ZS 71 WVS: IP 54 to IEC/EN 60529
Contact material	silver
Switching elements	change-over contact with double break or 2 NC contacts
Switching system	snap action, positive break NC contacts \ominus
Termination	screw terminals
Cable section	max. 2.5 mm ² (incl. conductor ferrules)
Cable entry	2 x M20 x 1.5
U_{imp}	6 kV
U_i	400 V
I_{the}	6 A
Utilisation category	AC-15
I_e /U_e	6 A/400 VAC
Max. fuse rating	6 A gL/gG D-fuse
Ambient temperature	-25°C ... +70 °C
Mech. life	> 1 million operations
Indicator lamp	as option
Max. wire length	20 m
Features	wire pull and breakage function
Approvals	CE, US, UK
Recommended wire length	

Ordering details

ZS 71 1Ö/1S WVD-A/55 N-G

Indicator lamp (app.)
55 N pre-stress force (200 N)
A position indicator (NA emergency-stop button)
VD push button release (VS key release, blank without manual latching)
W watertight collar
1 NC/1 NO contact (2Ö)
Series
Emergency pull-wire switch

